



# e-Vision Low Wattage 20-150W

## E-VISION IMH39KLFSM

Low frequency electronic HID ballasts such as the Philips Advance e-Vision line constantly measure and adjust the wattage, optimizing delivery of the ceramic lamps' superior color properties. This makes ceramic metal halide operated by e-Vision ballasts the premier choice for many applications previously illuminated by either tungsten halogen or incandescent sources, such as retail lighting. Low frequency electronic HID ballasts such as the Philips Advance e-Vision line constantly measure and adjust the wattage, optimizing delivery of the ceramic lamps' superior color properties. This makes ceramic metal halide operated by e-Vision ballasts the premier choice for many applications previously illuminated by either tungsten halogen or incandescent sources, such as retail lighting.

### Product data

#### • General Information

ANSI Code	C130/M130
Lamp Type	39W MH
Number Of Lamps	1 piece/unit
Ballast Type	Electronic HID
Base Model	IMH39KLFS
Suitable For Outdoor Use	Yes

#### • Operating and Electrical

Input Voltage	120 to 277 V
Input Frequency	50 to 60 Hz
Total Harmonic Distortion USA	15 %
Crestfactor (Nom)	1.8
Ignition Time (Nom)	1200 s
Ballast Factor (Nom)	1
Power Factor (Nom)	0.90
Input Current (Max)	0.39 A
Input Current (Min)	0.18 A
Input Power (Nom)	45 W
Rated Lamp Power	39 W

#### • Wiring

Color Input Terminals	No terminals
Color Output Terminals	No terminals

Wire Striplength	0.50 mm
Control Wire Gauge	NA
Wire Length By Color	Input=6" Output=13"
Wire Gauge (Nom)	18AWG mm
Wire Type	Stranded
Remote Wiring Configuration Allowed	Yes
Tandem Wiring Configuration Allowed	No
Through Wiring Configuration Allowed	No
Connector Type	No connector

#### • Temperature

T-Case Maximum (Nom)	90 °C
----------------------	-------

#### • Mechanical and Housing

Housing Material	Metal
Housing	K
Housing Dimensions	4.1" x 1.3" x 1.2"

**PHILIPS**

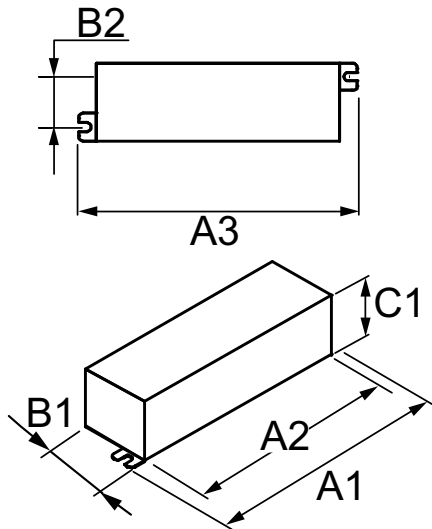
## • Approval and Application

EMC Immunity Standard	FCC Non-Consumer
Approval Marks	CSA certificate UL certificate RoHS Compliant
Hum And Noise Level	A
UL Recognized	No

## • Product Data

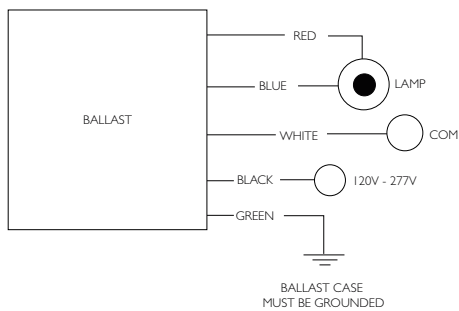
Order product name	E-VISION IMH39KLFSM
EAN/UPC - Product	781087124260
Order code	913701243802
Numerator - Quantity Per Pack	1
Numerator - Packs per outer box	12
Material Nr. (12NC)	913701243802
Net Weight (Piece)	178.000 g

## Dimensional drawing



## ELE MH BAL 39W C130 120-277V 50/60HZ

Product	A1	A2	A3	B1	B2	C1
E-VISION IMH39KLFSM	4.4 in	4.1 in	4.5 in	1.1 in	0.5 in	1.2 in



© 2016 Philips Lighting Holding B.V.  
All rights reserved.

Specifications are subject to change without notice. Trademarks are the property of Koninklijke Philips N.V. (Royal Philips) or their respective owners.

[www.philips.com/lighting](http://www.philips.com/lighting)

2016, February 1  
data subject to change